

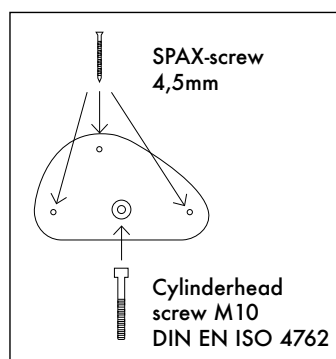


POLYTALON

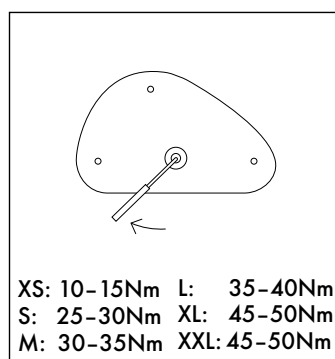
ENGINEERED CLIMBING HOLDS

→ **POLYTALON** holds are shaped and produced in Germany. An innovative combination of patented technology and precise handcraft enables us to produce material-saving and largely free of waste. Our specially developed PU resin provides long lifetimes and the fulfilment of the DIN 12572-3. **POLYTALON** connects the passion for climbing and engineering to ensure durability and perfect haptics. Always focusing on the essential – climbing!

To ensure the maximum lifetime of the holds, follow the assembly and maintenance orders carefully.

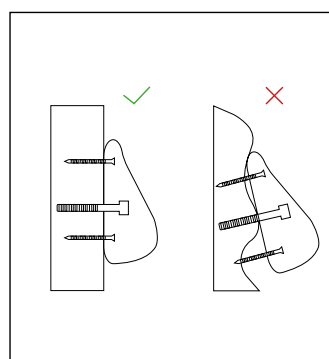


Use every intended screw hole

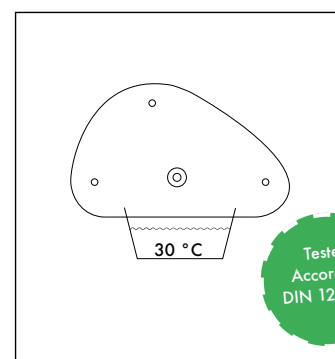


Recommended torques for M10 screws

XS: 10–15Nm L: 35–40Nm
S: 25–30Nm XL: 45–50Nm
M: 30–35Nm XXL: 45–50Nm



Make sure surfaces are even and clean



Do not use cleaning agents. Max 30 °C

ASSEMBLY INSTRUCTIONS

Climbing holds must be mounted only by trained route setters. POLYTALON climbing holds are solely for climbing on climbing walls according to the DIN 12572-1. Climbing walls, on which the holds are mounted on, have to be clean, even, and undamaged. Moreover, they have to meet the requirements of DIN 12572-1. Where intended, only M10 Cylinderhead screws with hexagon socket according DIN ISO 4762 (without flaring at the head) must be used. It has to be ensured that the back of the hold is clean and undamaged. After the mounting, it has to be checked if the backside of the hold has contact to the wall with its complete surface. If this is not the case, the hold has to be removed and POLYTALON has to be contacted. To prevent damaging the hold, we strictly advise against the use of an impact wrench. Instead a hex wrench is recommended. Please use the torques of the table above. SPAX screws have to be tightened with 10Nm. If there are additional screw holes, those have to be used for safety reasons to prevent turning or standing out of the hold. If there are any unusual deformations or cracks due to too much torque or the tightening on uneven surface, the holds have to be disposed and replaced immediately. When the holds are used above head height, a helmet has to be used in the danger area. Additional coloring or the application of any chemicals are prohibited. The holds should be protected by direct UV-Radiation and should be used in a temperature range from 10 °C - 50 °C.

MAINTENANCE

Due to temperature fluctuations, the climbing holds might become loose to a certain degree. Continuous monitoring of the hold attachments, as well as visual inspection for damages in weekly intervals is therefore inevitable. If necessary, the screws have to be tightened up according to the torques above. If there are slightest damages visible, the holds have to be removed and replaced. After 3 years of use at the latest, the holds should be subjected to a comprehensive inspection for damage. The manufacturer should be contacted if there is any uncertainty regarding the readiness for use

CLEANING

Sweat, dirt, skin-, and shoe abrasion can deposit on the climbing holds. We recommend water, brush, and -if applicable- cleaning vinegar for cleaning. Chemicals can damage the holds invisibly and must not be used.

DISPOSAL

Disused POLYTALON holds can be sent back to us. WE will take care of the recycling procedures. Otherwise, the local waste disposal company has to be contacted for the proper disposal of the holds.

POLYTALON stands for Quality – We welcome any feedback and comments - contact us!

